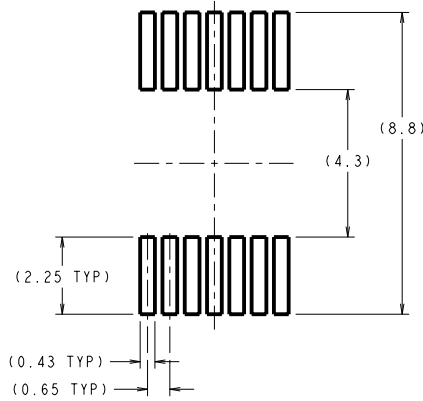
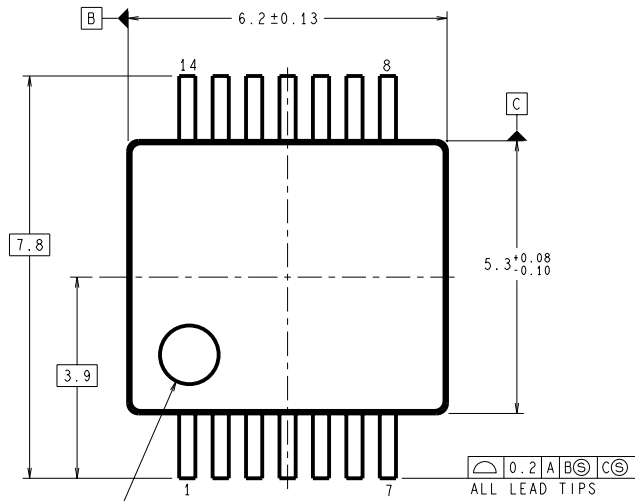
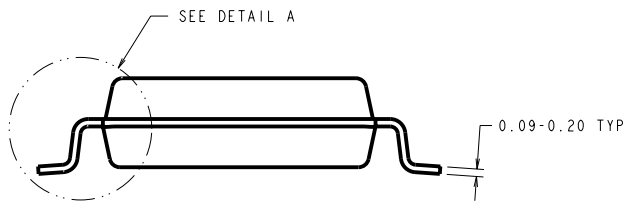
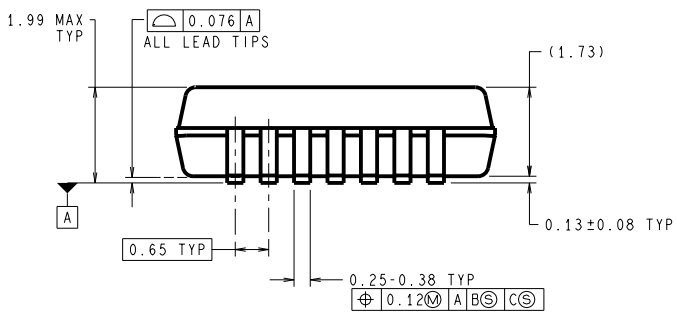


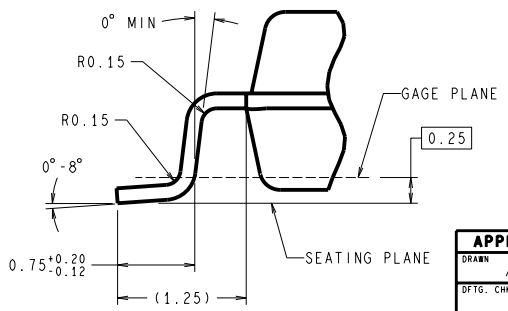
REVISIONS				
LTR	DESCRIPTION	E.C.N.	DATE	BY/APP'D
A	RELEASE TO DOCUMENT CONTROL	11405	03/22/96	MS/



LAND PATTERN RECOMENDATION



DIMENSIONS ARE IN MILLIMETERS



DETAIL A TYPICAL, SCALE: 30X

<b>APPROVALS</b>		<b>DATE</b>	<b>National Semiconductor</b>		
DRAWN <i>MARTA SUCHY</i>		03/22/96	2900 Semiconductor dr., Santa Clara, CA 95052-8090		
DFTG. CHK.			<b>MOLDED SSOP, EIAJ, TYPE II, 14 LEAD</b>		
ENGR. CHK.					
PROJECTION		SCALE	SIZE	DRAWING NUMBER	REV
		N/A	C	MKT-MSA14	A
INCH (MM)		DO NOT SCALE DRAWING		SHEET 1 of 1	