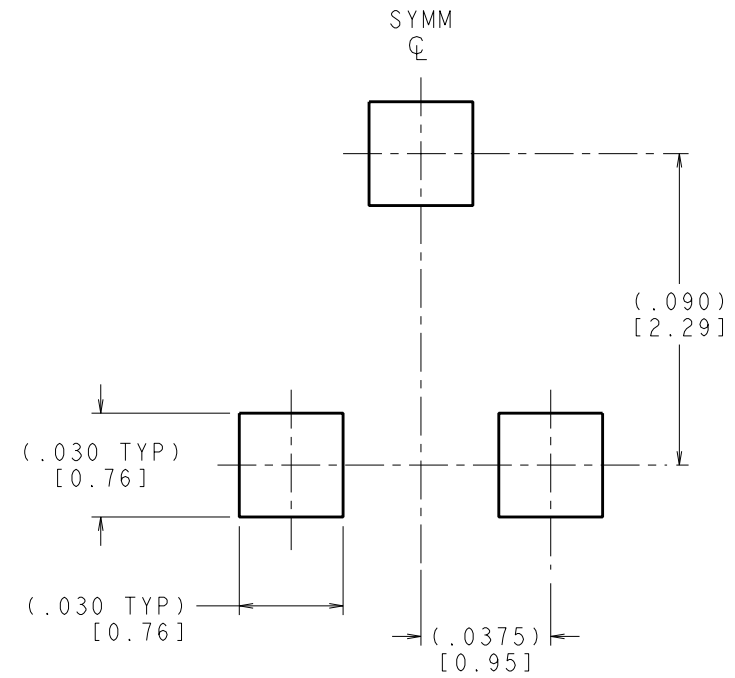
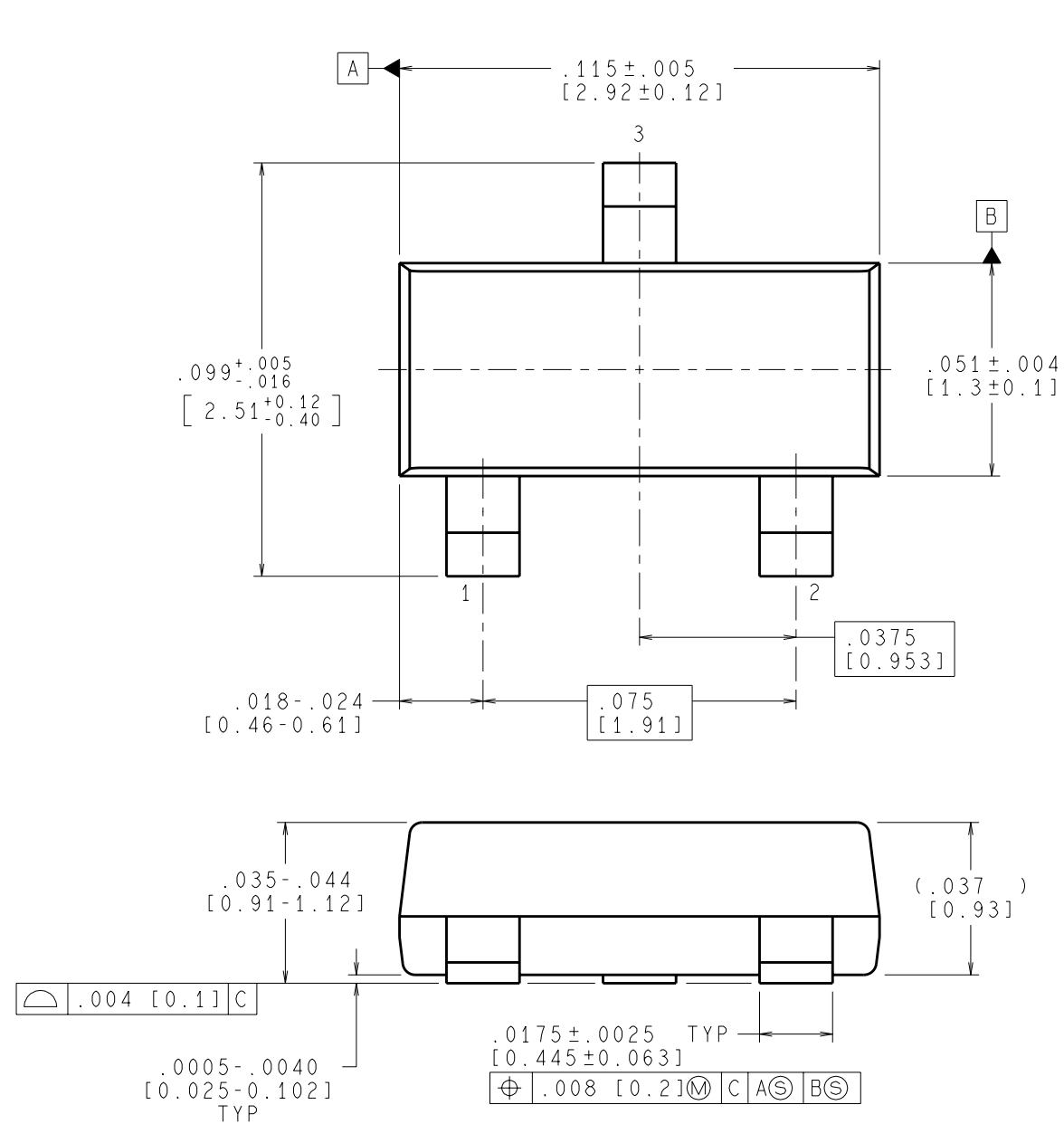
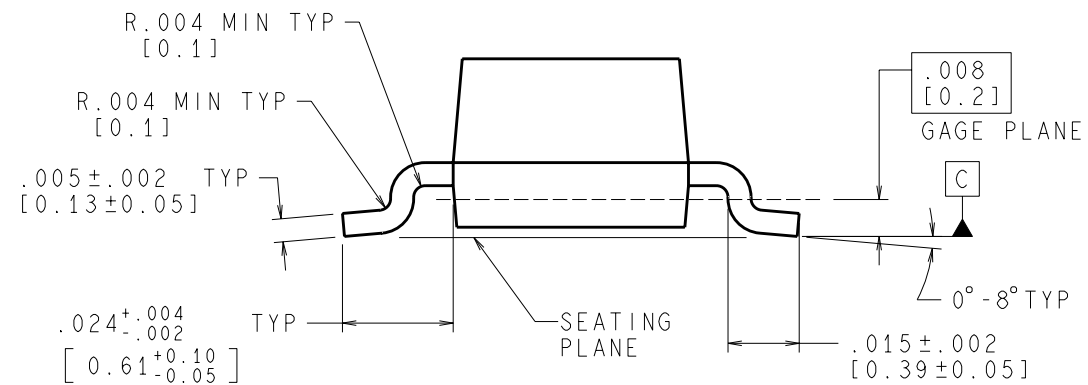


REVISIONS				
LTR	DESCRIPTION	E.C.N.	DATE	BY/APP'D
A	RELEASE TO DOCUMENT CONTROL	12340	02/15/2000	TL/RW



LAND PATTERN RECOMMENDATION



**CONTROLLING DIMENSION IS INCH
 VALUES IN [] ARE MILLIMETERS**

NOTES: UNLESS OTHERWISE SPECIFIED

- STANDARD LEAD FINISH TO BE 200 MICROINCHES/ 5.08 MICROMETERS MINIMUM TIN/LEAD (SOLDER).
- REFERENCE JEDEC REGISTRATION TO-236, VARIATION AB, DATED JANUARY 1999.

APPROVALS	DATE	National Semiconductor 2900 Semiconductor Dr., Santa Clara, CA 95052-8090			
DRAWN T. LEQUANG	02/15/2000	MOLDED SOT-23, .115 X .051 X .037 IN BODY, 3 LD, .075 IN PITCH			
DFTG. CHK. MARTA SUCHY	02/15/2000				
ENGR. CHK. RANDY WALBERG	02/15/2000				
PROJECTION	INCH [MM]	SCALE N/A	SIZE C	DRAWING NUMBER (SC)MKT-MF03A	REV A
		FORMERLY: N/A	SHEET 1 of 1		