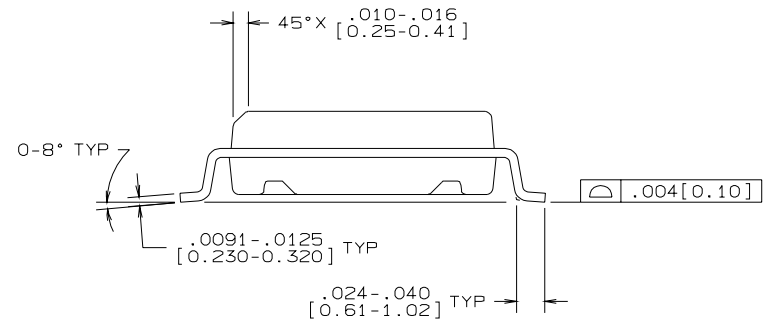
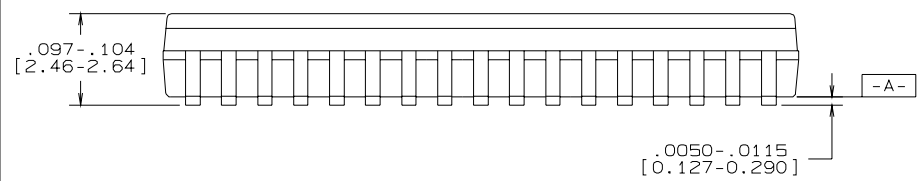
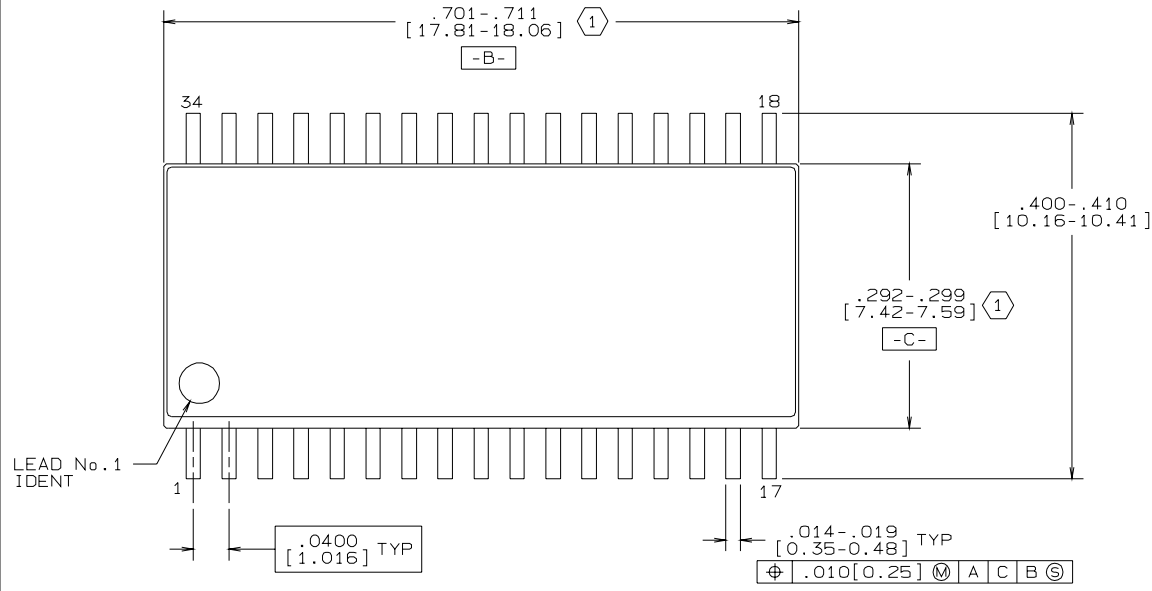


REVISIONS				
LTR	DESCRIPTION	E.C.N.	DATE	BY/APP'D
A	RELEASE TO DOCUMENT CONTROL	09431	11/24/92	DEG/



NOTES: UNLESS OTHERWISE SPECIFIED

① REFERENC DATUMS -B- AND -C- DO NOT INCLUDE MOLD FLASH OR PROTRUSIONS, BUT DO INCLUDE MOLD MISMATCH AND ARE MEASURED AT THE MOLD PARTING LINE. MOLD FLASH OR PROTRUSIONS SHALL NOT EXCEED .006 PER SIDE.

CONTROLLING DIMENSION: INCH				
APPROVALS	DATE	NATIONAL SEMICONDUCTOR CORPORATION		
DRAWN D.E. GRADY	11/24/92	2900 Semiconductor Drive, Santa Clara, CA 95052-8090		
DFGTG. CHK.		MOLDED PKG, SSOP, .300 WIDE, .040 PITCH, 34 LEAD		
ENGR. CHK.				
APPROVAL				
PROJECTION	SCALE	SIZE	DRAWING NUMBER	REV
	N/A	C	MKT-MEC34	A
DO NOT SCALE DRAWING		SHEET 1 OF 1		