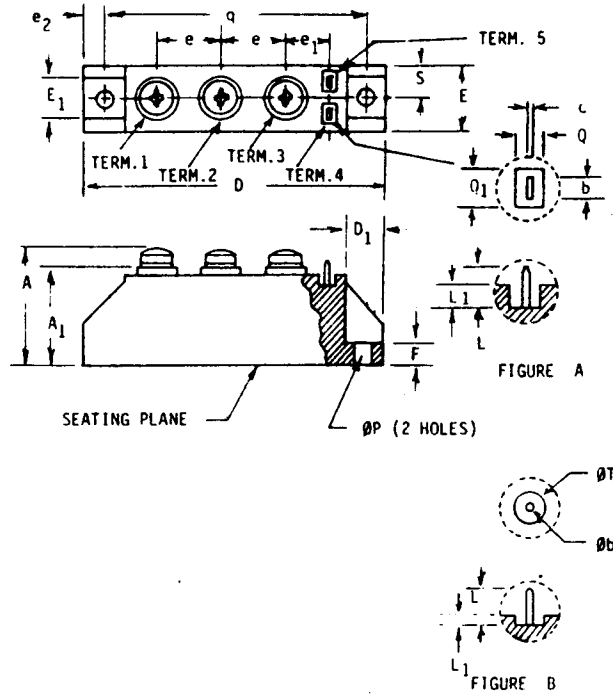


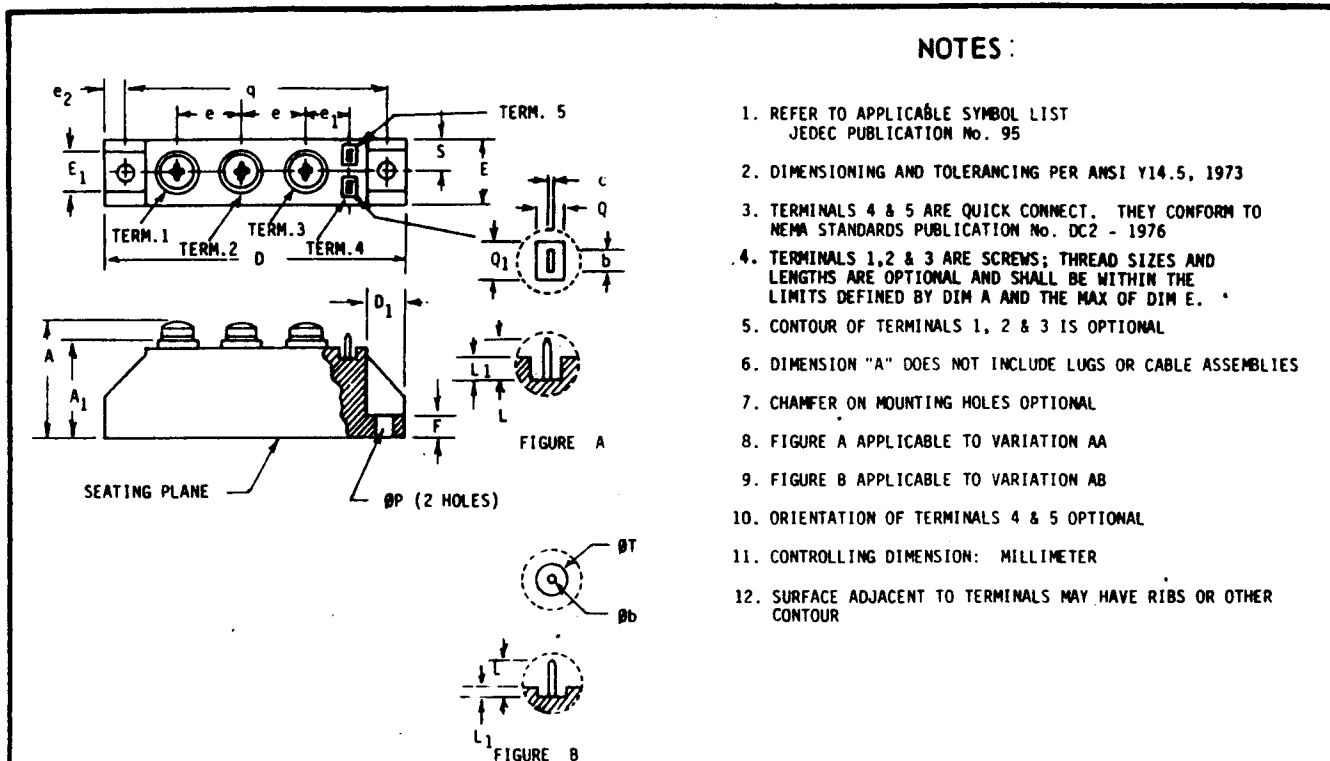
NOTES :



1. REFER TO APPLICABLE SYMBOL LIST
JEDEC PUBLICATION No. 95
2. DIMENSIONING AND TOLERANCING PER ANSI Y14.5, 1973
3. TERMINALS 4 & 5 ARE QUICK CONNECT. THEY CONFORM TO NEMA STANDARDS PUBLICATION No. DC2 - 1976
4. TERMINALS 1,2 & 3 ARE SCREWS; THREAD SIZES AND LENGTHS ARE OPTIONAL AND SHALL BE WITHIN THE LIMITS DEFINED BY DIM A AND THE MAX OF DIM E.
5. CONTOUR OF TERMINALS 1, 2 & 3 IS OPTIONAL
6. DIMENSION "A" DOES NOT INCLUDE LUGS OR CABLE ASSEMBLIES
7. CHAMFER ON MOUNTING HOLES OPTIONAL
8. FIGURE A APPLICABLE TO VARIATION AA
9. FIGURE B APPLICABLE TO VARIATION AB
10. ORIENTATION OF TERMINALS 4 & 5 OPTIONAL
11. CONTROLLING DIMENSION: MILLIMETER
12. SURFACE ADJACENT TO TERMINALS MAY HAVE RIBS OR OTHER CONTOUR

VARIATIONS (ALL DIMENSIONS SHOWN IN MILLIMETERS)

SYMBOL	AA		NOTE	AB		NOTE	MIN.	MAX.	NOTE	MIN.	MAX.	NOTE	
	MIN.	MAX.		MIN.	MAX.								
A	31.75	37.34	6	31.75	37.34	6							
A ₁	28.45	32.50	12	28.45	32.50	12							
b	2.72	2.87	3,10	--	--								
c	.78	.84	3,10										
Øb	--	--		1.20	1.60								
D	91.50	92.50		91.50	92.50								
D ₁	11.30	13.00		10.92	13.00								
E	19.50	20.95		19.50	20.95								
E ₁	11.30	13.00		11.18	13.00								
e	19.50	20.50	5	19.25	20.75	5							
e ₁	11.30	--		10.67	--								
e ₂	5.77	6.25		5.70	6.22								
F	6.00	8.70		3.05	8.70								
L	7.00	8.00		5.00	6.85								
L ₁	0.00	4.44		.90	1.15								
ØP	5.80	6.40	7	5.80	6.40	7							
q	79.75	80.30		79.75	80.30								
ØT				4.27	4.87								
S	9.75	10.25		9.75	10.25								
Q	4.80	--		--	--								
Q ₁	7.05	--		--	--								
NOTE	1, 2, 4, 6, 8, 10, 11			1, 2, 4, 6, 9, 11									
REF.													
ISSUE													
JEDEC SOLID STATE PRODUCT OUTLINES			TITLE TERMINAL STRIP FAMILY (POWER MODULE)				ISSUE B		DATE MARCH 1981		TO-240 AA-AB		



NOTES :

1. REFER TO APPLICABLE SYMBOL LIST
JEDEC PUBLICATION No. 95
2. DIMENSIONING AND TOLERANCING PER ANSI Y14.5, 1973
3. TERMINALS 4 & 5 ARE QUICK CONNECT. THEY CONFORM TO NEMA STANDARDS PUBLICATION No. DC2 - 1976
4. TERMINALS 1, 2 & 3 ARE SCREWS; THREAD SIZES AND LENGTHS ARE OPTIONAL AND SHALL BE WITHIN THE LIMITS DEFINED BY DIM A AND THE MAX OF DIM E.
5. CONTOUR OF TERMINALS 1, 2 & 3 IS OPTIONAL
6. DIMENSION "A" DOES NOT INCLUDE LUGS OR CABLE ASSEMBLIES
7. CHAMFER ON MOUNTING HOLES OPTIONAL
8. FIGURE A APPLICABLE TO VARIATION AA
9. FIGURE B APPLICABLE TO VARIATION AB
10. ORIENTATION OF TERMINALS 4 & 5 OPTIONAL
11. CONTROLLING DIMENSION: MILLIMETER
12. SURFACE ADJACENT TO TERMINALS MAY HAVE RIBS OR OTHER CONTOUR

VARIATIONS (ALL DIMENSIONS SHOWN IN INCHES)

SYMBOL	AA		NOTE	AB		NOTE			NOTE			NOTE
	MIN.	MAX.		MIN.	MAX.		MIN.	MAX.		MIN.	MAX.	
A	1.250	1.470	6	1.250	1.470	6						
A1	1.120	1.279	12	1.120	1.279	12						
b	.107	.113	3,10	--	--							
c	.031	.033	3,10	--	--							
Øb	--	--		.048	.063							
D	3.602	3.642		3.602	3.642							
D1	.445	.512		.430	.512							
E	.768	.825		.768	.825							
E1	.445	.512		.440	.512							
e	.768	.807	5	.757	.817	5						
e1	.445	--		.420	--							
e2	.227	.246		.225	.245							
F	.236	.342		.120	.342							
L	.275	.315		.197	.270							
L1	.000	.175		.035	.045							
ØP	.228	.252	7	.228	.252	7						
q	3.140	3.161		3.140	3.161							
ØT	--	--		.168	.192							
S	.384	.403		.384	.403							
Q	.189	--		--	--							
Q1	.277	--		--	--							
NOTE	1, 2, 4, 6, 8, 10, 11			1, 2, 4, 6, 9, 11								
REF.												
ISSUE												

JEDEC SOLID STATE PRODUCT OUTLINES	TITLE TERMINAL STRIP FAMILY (POWER MODULE)	ISSUE B	DATE MARCH 1981	TO-240 AA-AB
--	--	------------	-----------------------	--------------